

# UT25

Ultra Thin Magnetic Track System



PRODUCT  
CATALOGUE

2023-2024



**Ultra Thin  
Magnetic Track  
48V System.**



UT25-Magnetic track 01



UT25-Ultrion 05



UT25-Cyclops 07



UT25-Spiders 09



UT25-Ultrion 11



UT25-Cyclops 13



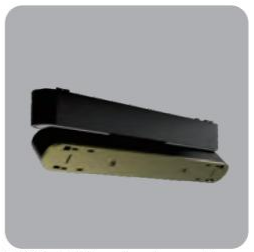
UT25-Vision 35



UT25-Tube 37



UT25-Lighting extension module 39



UT25-Lighting extension module 41



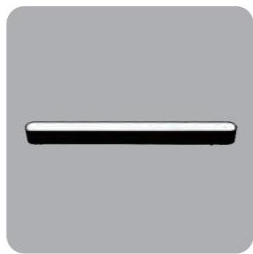
UT25-Surface 43



UT25-Recessed 45



UT25-Spiders 15



UT25-Ultrion 17



UT25-Cyclops 19



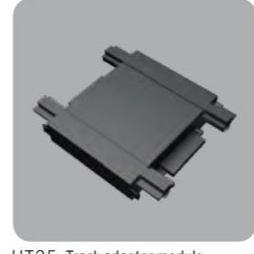
UT25-Agusta 23



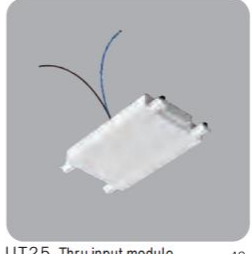
UT25-Agusta 24



UT25-Agusta 25



UT25-Track adapter module 47



UT25-Thru input module 48



UT25-Integrated track 49



UT25-Aluminum channel accessories 50



UT25-Conductive module 51



UT25-PWS -power supply 52



UT25-Agusta 26



UT25-Agusta 27



UT25-Agusta 28



UT25-Hydra 29



UT25-Pista 30



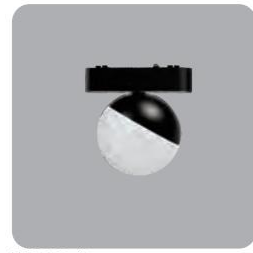
UT25-Pista 30



UT25-PWS-SR-power supply 53



UT25-PWS-RR-power supply 54



UT25-Boling 31



UT25-Boling 31



UT25-Marlboro 32



UT25-Marlboro 32



UT25-Spiter 32



UT25-Vision 35

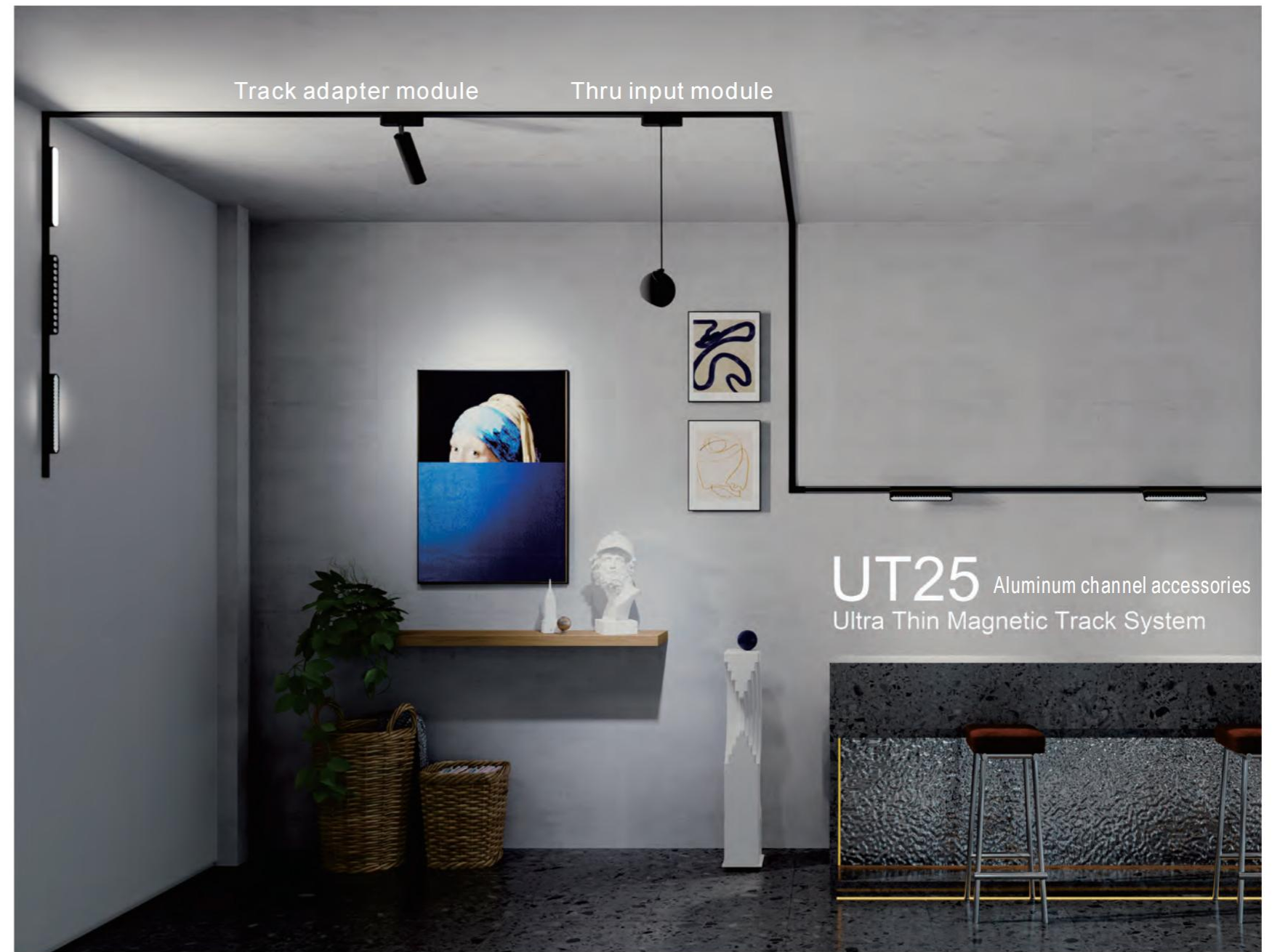
# UT25 Magnetic track

Ultra Thin Magnetic Track System  
Lighting extension module



Track adapter module

Thru input module



UT25 Aluminum channel accessories  
Ultra Thin Magnetic Track System

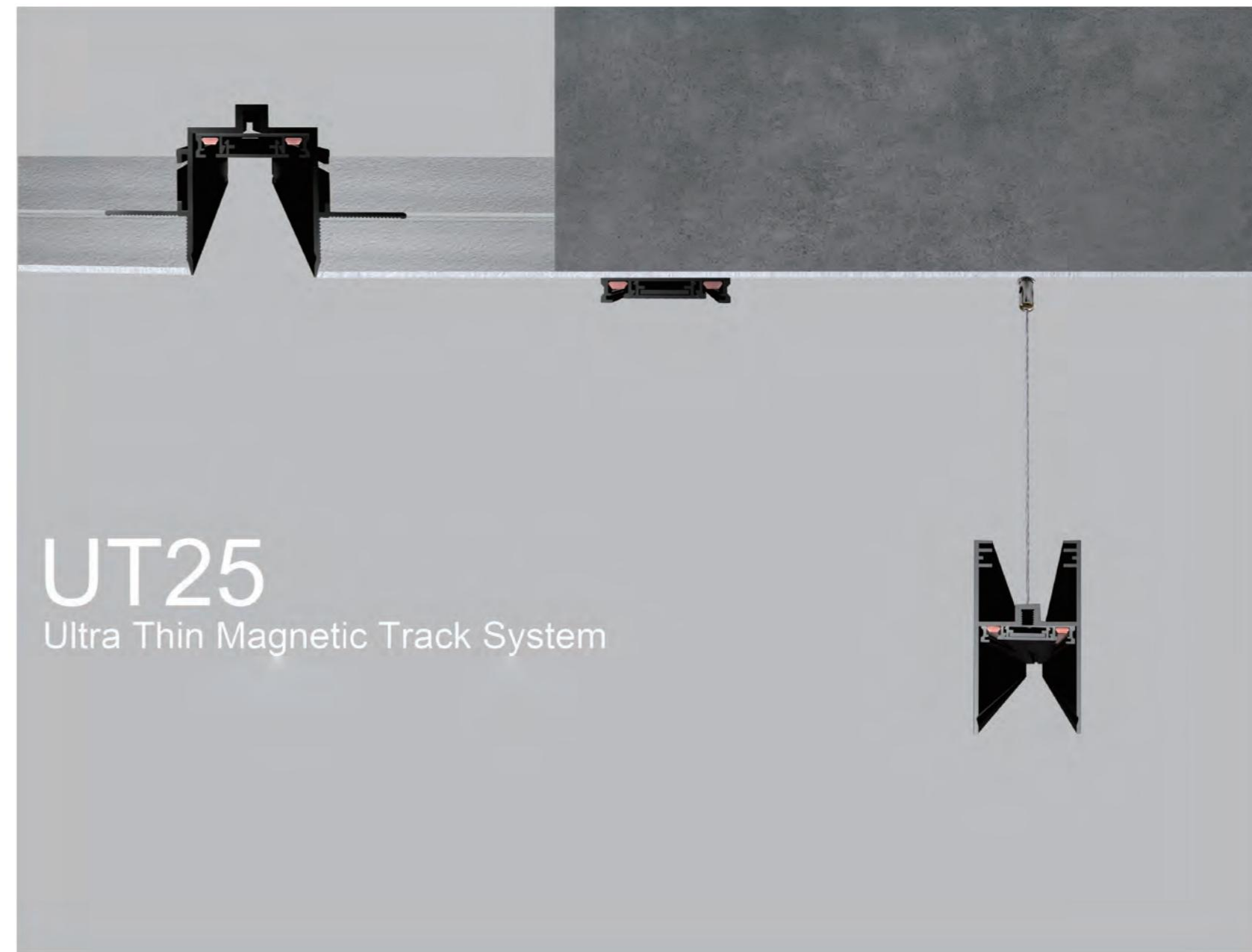
**UT 25 track series**



5.5mm ultra-thin thickness

Ultra-thin line design creates minimalist space aesthetics

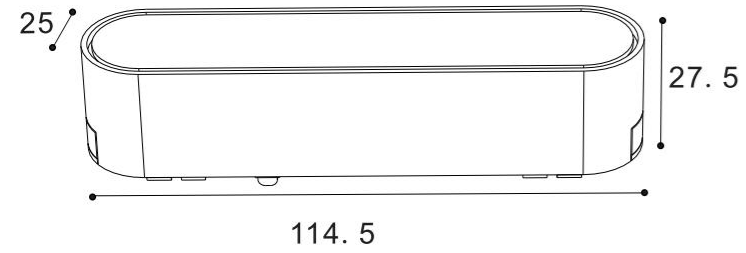




# UT25

Ultra Thin Magnetic Track System

# UT25-Ultron



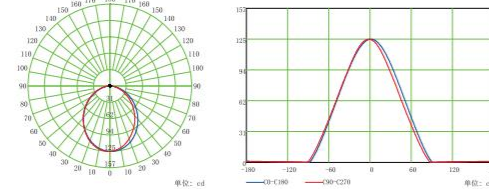
Product Code	Watt	>CRI	Voltage	LUMEN	Product Size
UT25-FLR6	6W	Ra90	40-48V	320lm	114.5x27.5x25

Finish	CCT	System Options
■ BK	3000K	No Dim,
□ WH	3500K	Bluetooth,
	4000K	Zigbee,
	5000K	
	2700-6000K	

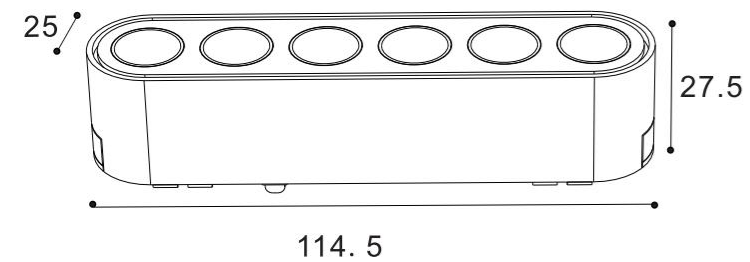
Beam angle



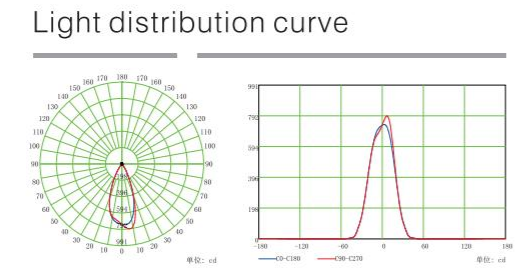
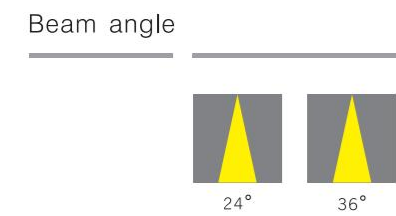
Light distribution curve



# UT25-Cyclops

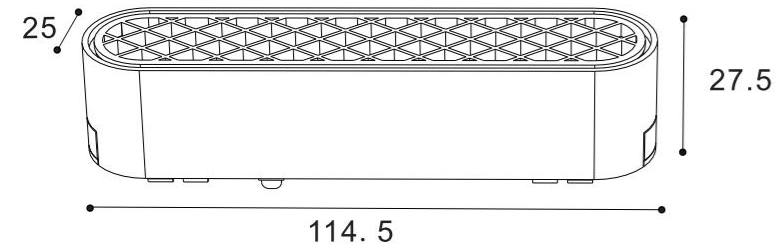


Product Code	Watt	>CRI	Voltage	LUMEN	Product Size	Finish	CCT	System Options
UT25-GLR6	6W	Ra90	40-48V	599lm	114.5x27.5x25	<input checked="" type="checkbox"/> BK <input type="checkbox"/> WH	3000K 3500K 4000K 5000K 2700-6000K	No Dim, Bluetooth, Zigbee,





# UT25-Spiders

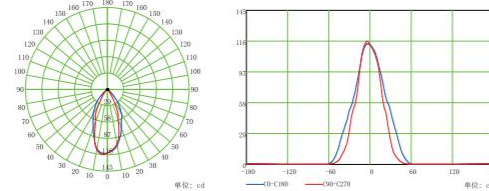


Product Code	Watt	>CRI	Voltage	LUMEN	Product Size	Finish	CCT	System Options
UT25-AGR6	6W	Ra90	40-48V	258lm	114.5x27.5x25	<input checked="" type="checkbox"/> BK <input type="checkbox"/> WH	3000K 3500K 4000K 5000K 2700-6000K	No Dim, Bluetooth, Zigbee,

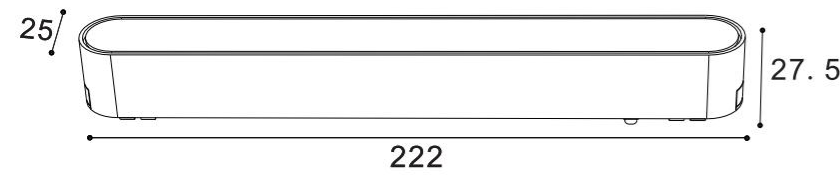
Beam angle



Light distribution curve



# UT25-Ultron



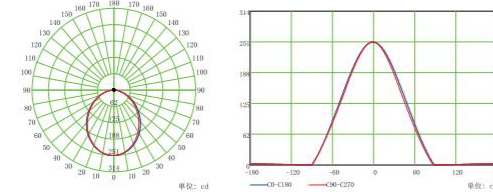
Product Code	Watt	>CRI	Voltage	LUMEN	Product Size	Finish	CCT	System Options
UT25-FLR12	12W	Ra90	40-48V	683lm	222x27.5x25	<input checked="" type="checkbox"/> BK <input type="checkbox"/> WH	3000K 3500K 4000K 5000K 2700-6000K	No Dim, Bluetooth, Zigbee,

Beam angle

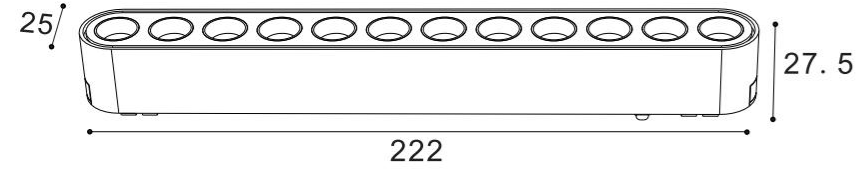
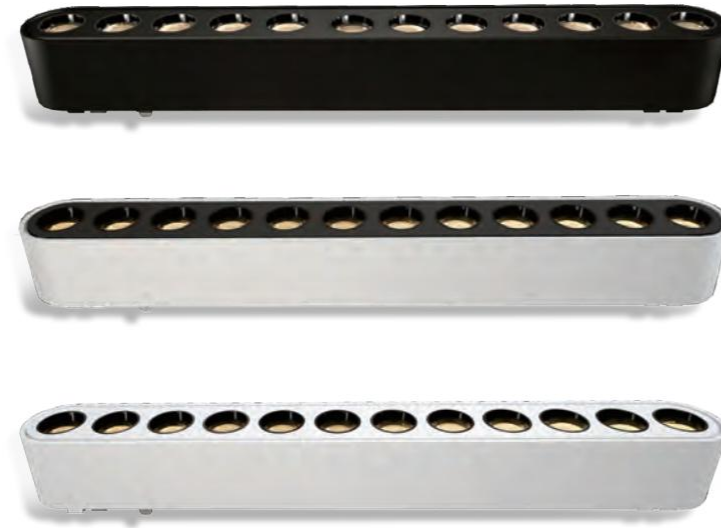


100°

Light distribution curve

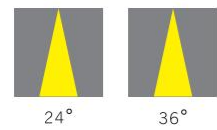


# UT25-Cyclops

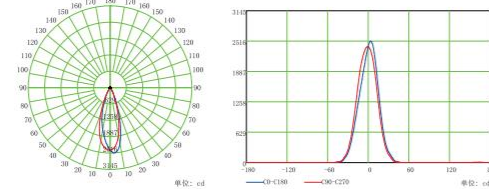


Product Code	Watt	>CRI	Voltage	LUMEN	Product Size	Finish	CCT	System Options
UT25-GLR12	12W	Ra90	40-48V	1123lm	222x27.5x25	<input checked="" type="checkbox"/> BK <input type="checkbox"/> WH	3000K 3500K 4000K 5000K 2700-6000K	No Dim, Bluetooth, Zigbee,

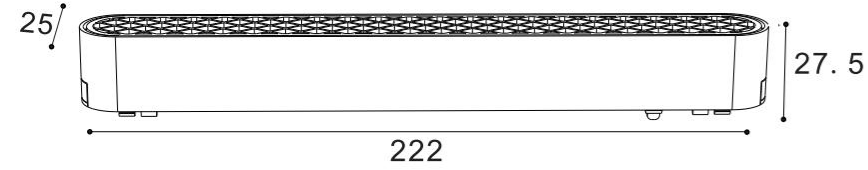
Beam angle



Light distribution curve



# UT25-Spiders



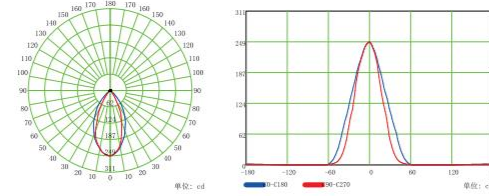
Product Code	Watt	>CRI	Voltage	LUMEN	Product Size	Finish	CCT	System Options
UT25-AGR12	12W	Ra90	40-48V	562lm	222x27.5x25	<input checked="" type="checkbox"/> BK <input type="checkbox"/> WH	3000K 3500K 4000K 5000K 2700-6000K	No Dim, Bluetooth, Zigbee,

Beam angle

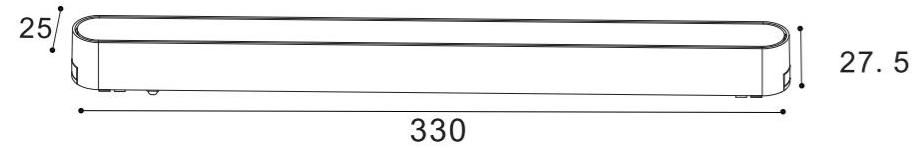


50°

Light distribution curve



# UT25-Ultron



Product Code	Watt	>CRI	Voltage	LUMEN	Product Size	Finish	CCT	System Options
UT25-FLR18	16 W	Ra90	40-48V	1024lm	330x27.5x25	<input checked="" type="checkbox"/> BK <input type="checkbox"/> WH	3000K 3500K 4000K 5000K 2700-6000K	No Dim, Bluetooth, Zigbee,

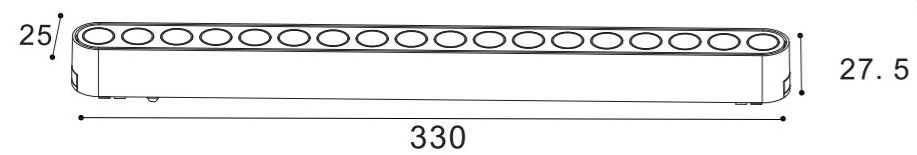
Beam angle



100°

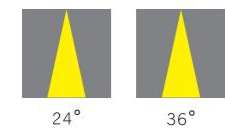


# UT25-Cyclops



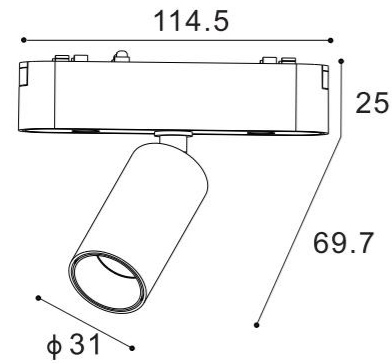
Product Code	Watt	>CRI	Voltage	LUMEN	Product Size	Finish	CCT	System Options
UT25-GLR18	16W	Ra90	40-48V	2100lm	330x27.5x25	<input checked="" type="checkbox"/> BK <input type="checkbox"/> WH	3000K 3500K 4000K 5000K 2700-6000K	No Dim, Bluetooth, Zigbee,

Beam angle



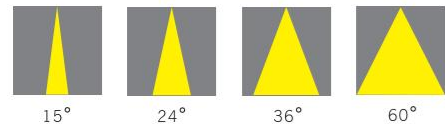


# UT25-Agusta

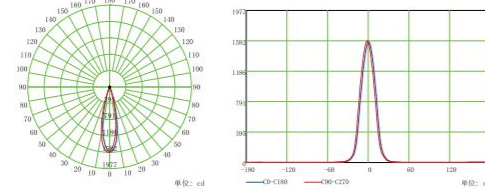


Product Code	Watt	>CRI	Voltage	LUMEN	Product Size	Finish	CCT	System Options
UT25-SL-5W	5W	Ra90	40-48V	504lm	Φ 31x94.7x114.5	<input checked="" type="checkbox"/> BK <input type="checkbox"/> WH	3000K 3500K 4000K 5000K 2700-6000K	No Dim, Bluetooth, Zigbee,

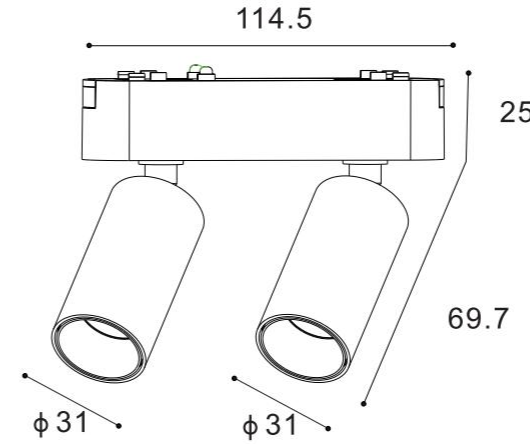
Beam angle



Light distribution curve

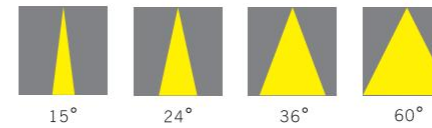


# UT25-Agusta



Product Code	Watt	>CRI	Voltage	LUMEN	Product Size	Finish	CCT	System Options
Ut25-SL-5W*2	5W*2	Ra90	40-48V	814lm	Φ 31x94.7x114.5	<input checked="" type="checkbox"/> BK <input type="checkbox"/> WH	3000K 3500K 4000K 5000K 2700-6000K	No Dim, Bluetooth, Zigbee,

Beam angle

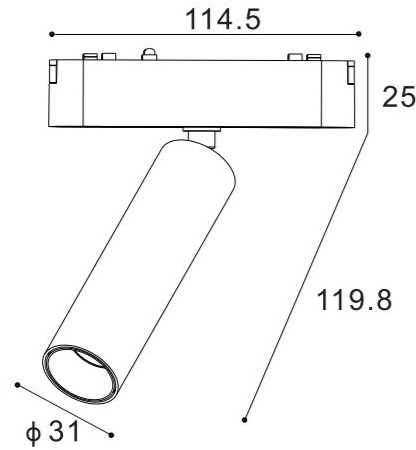


Notes:  
 \*For other options special request, please contact us.  
 For the most updated product information, please go to our website.



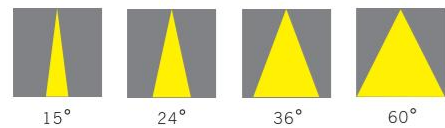


# UT25-Agusta

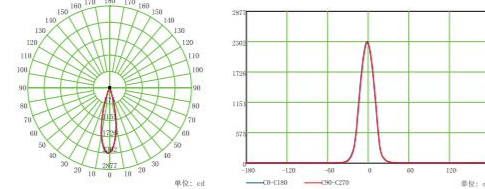


Product Code	Watt	>CRI	Voltage	LUMEN	Product Size	Finish	CCT	System Options
Ut25-SL-7W	7W	Ra90	40-48V	596lm	Φ31x144.8x114.5	<input checked="" type="checkbox"/> BK <input type="checkbox"/> WH	3000K 3500K 4000K 5000K 2700-6000K	No Dim, Bluetooth, Zigbee,

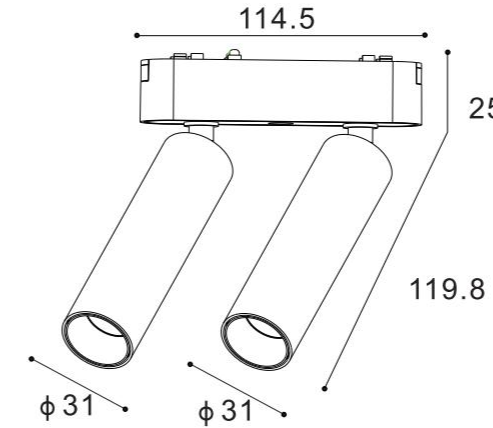
Beam angle



Light distribution curve

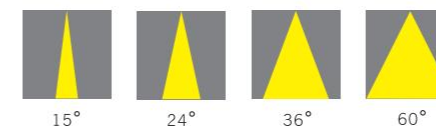


# UT25-Agusta



Product Code	Watt	>CRI	Voltage	LUMEN	Product Size	Finish	CCT	System Options
Ut25-SL-7W*2	7W*2	Ra90	40-48V	1247lm	Φ31x144.8x114.5	<input checked="" type="checkbox"/> BK <input type="checkbox"/> WH	3000K 3500K 4000K 5000K 2700-6000K	No Dim, Bluetooth, Zigbee,

Beam angle

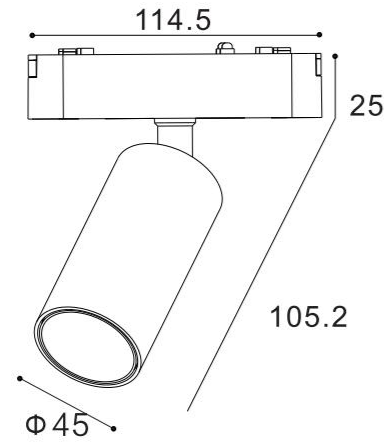


Notes:

\*For other options special request, please contact us.  
 For the most updated product information, please go to our website.

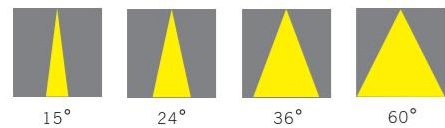


# UT25-Agusta

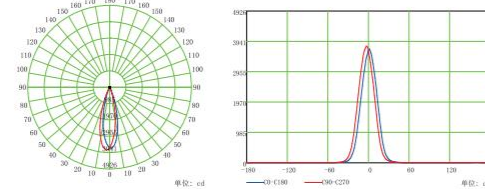


Product Code	Watt	>CRI	Voltage	LUMEN	Product Size	Finish	CCT	System Options
Ut25-SL-12W	12W	Ra90	40-48V	1075lm	Φ45x130.2x114.5	<input checked="" type="checkbox"/> BK <input type="checkbox"/> WH	3000K 3500K 4000K 5000K 2700-6000K	No Dim, Bluetooth, Zigbee,

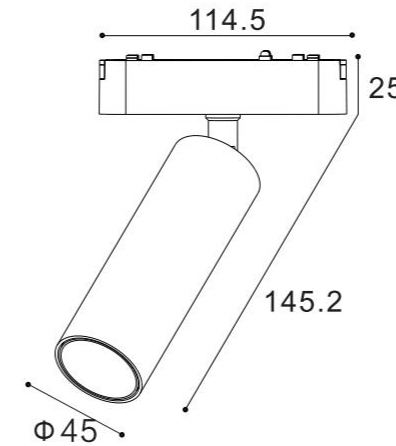
Beam angle



Light distribution curve

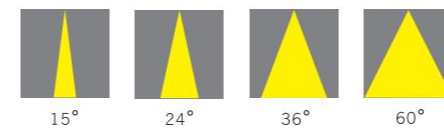


# UT25-Agusta

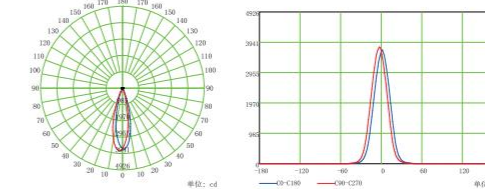


Product Code	Watt	>CRI	Voltage	LUMEN	Product Size	Finish	CCT	System Options
UT25-SL-15W	15W	Ra90	40-48V	1153lm	Φ45x170.2x114.5	<input checked="" type="checkbox"/> BK <input type="checkbox"/> WH	3000K 3500K 4000K 5000K 2700-6000K	No Dim, Bluetooth, Zigbee,

Beam angle



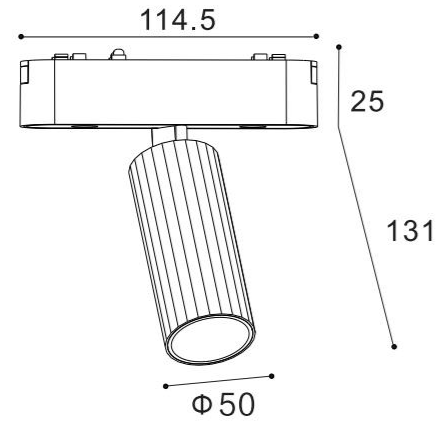
Light distribution curve



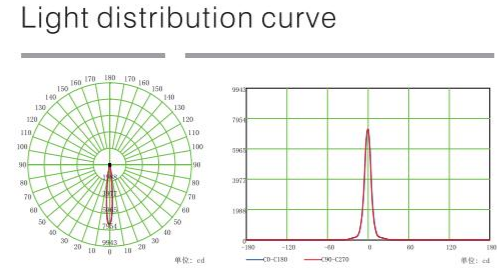
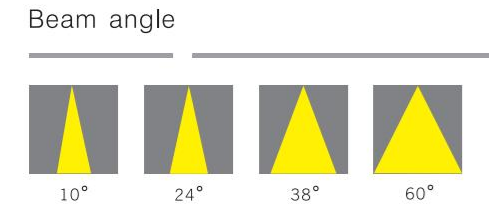
Notes:  
 \*For other options special request, please contact us.  
 For the most updated product information, please go to our website.



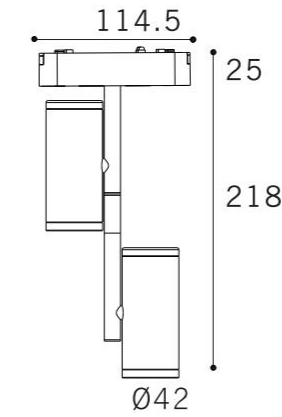
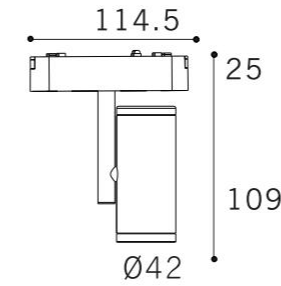
# UT25-Hydra



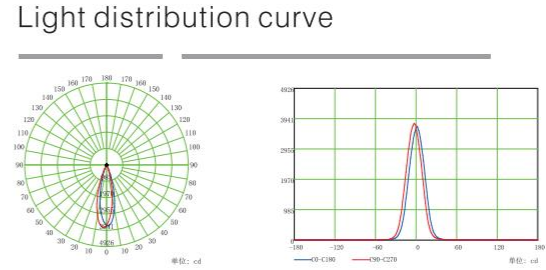
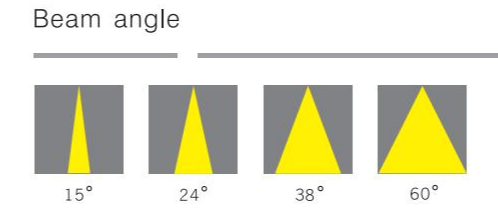
Product Code	Watt	>CRI	Voltage	LUMEN	Product Size	Finish	CCT	System Options
UT25-HD-12W	12W	Ra90	40-48V	485lm	Φ50x156x114.5	<input checked="" type="checkbox"/> BK <input type="checkbox"/> WH	3000K 3500K 4000K 5000K 2700-6000K	No Dim, Bluetooth, Zigbee,



# UT25-Pista

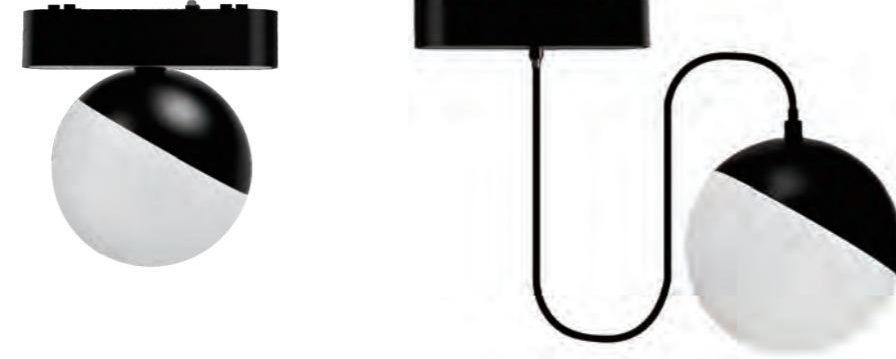
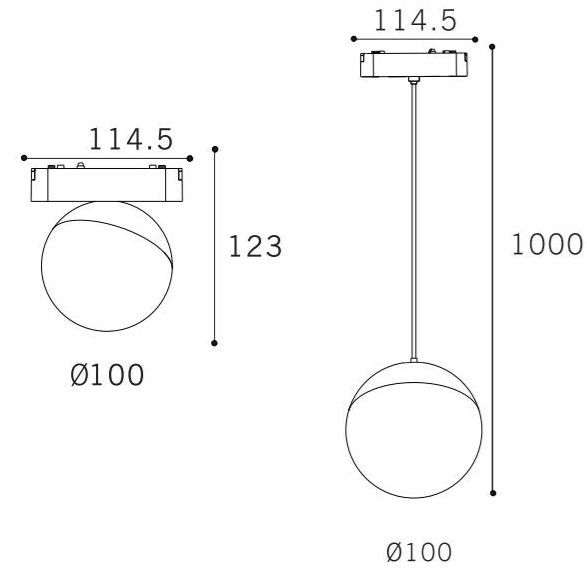


Product Code	Watt	>CRI	Voltage	LUMEN	Product Size	Finish	CCT	System Options
UT25-PST-8W	8W	Ra90	40-48V	618lm	Φ42x134x114.5	<input checked="" type="checkbox"/> BK	3000K	No Dim,
UT25-PSTB-8W*2	8W*2	Ra90	40-48V	1305lm	Φ42x243x114.5	<input type="checkbox"/> WH	3500K 4000K 5000K 2700-6000K	Bluetooth, Zigbee,



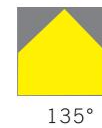
Notes:  
 \*For other options special request, please contact us.  
 For the most updated product information, please go to our website.

## UT25-Boling

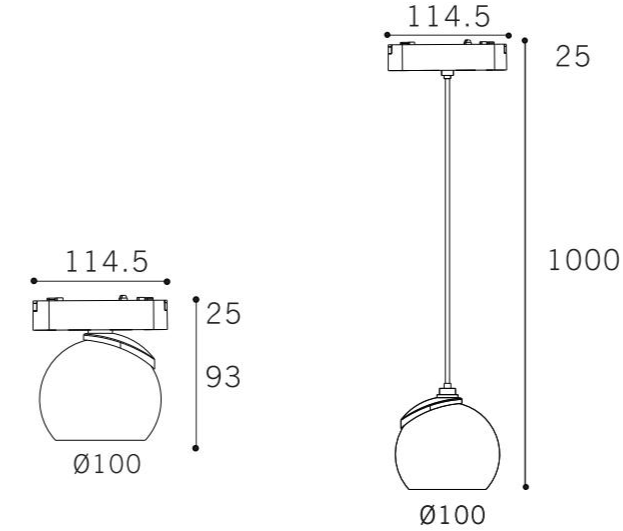


Product Code	Watt	>CRI	Voltage	LUMEN	Product Size	Finish	CCT	System Options
UT25-BL	8W	Ra90	40-48V	776lm	Φ100x123x114.5	■ BK	3000K	No Dim,
UT25-BL2	8W	Ra90	40-48V	726lm	Φ100x1000x114.5	□ WH	3500K 4000K 5000K 2700-6000K	Bluetooth, Zigbee,

Beam angle

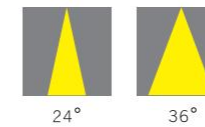


## UT25-Marlboro

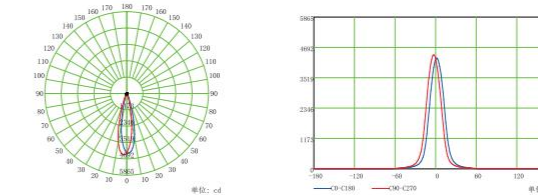


Product Code	Watt	>CRI	Voltage	LUMEN	Product Size	Finish	CCT	System Options
UT25-MBO-A	12W	Ra90	40-48V	938lm	Φ100x118x114.5	■ BK	3000K	No Dim,
UT25-MBO-B	12W	Ra90	40-48V	982lm	Φ100x1025x114.5	□ WH	3500K 4000K 5000K 2700-6000K	Bluetooth, Zigbee,

Beam angle



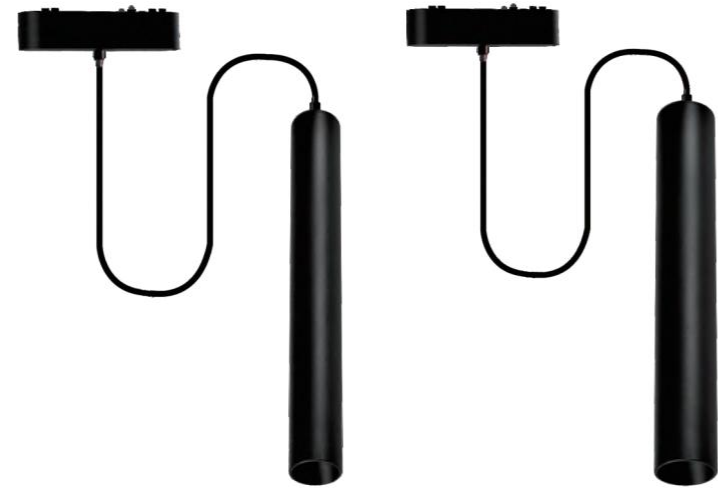
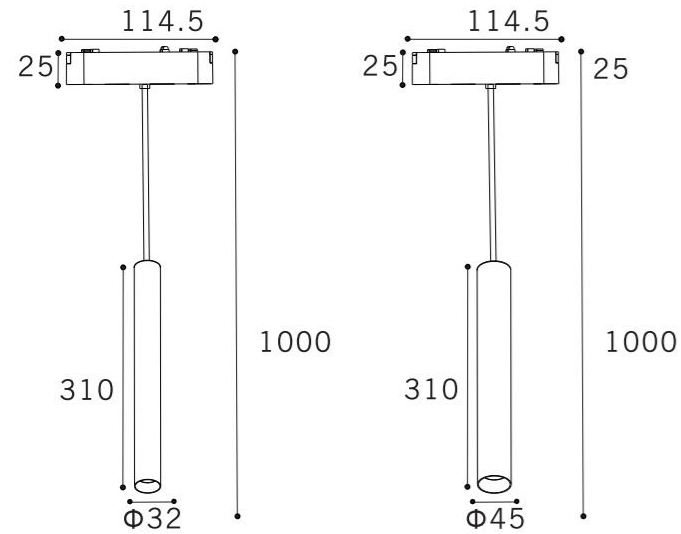
Light distribution curve



Notes:  
\*For other options special request, please contact us.  
For the most updated product information, please go to our website.

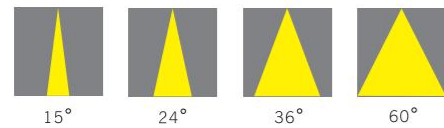


# UT25-Spider

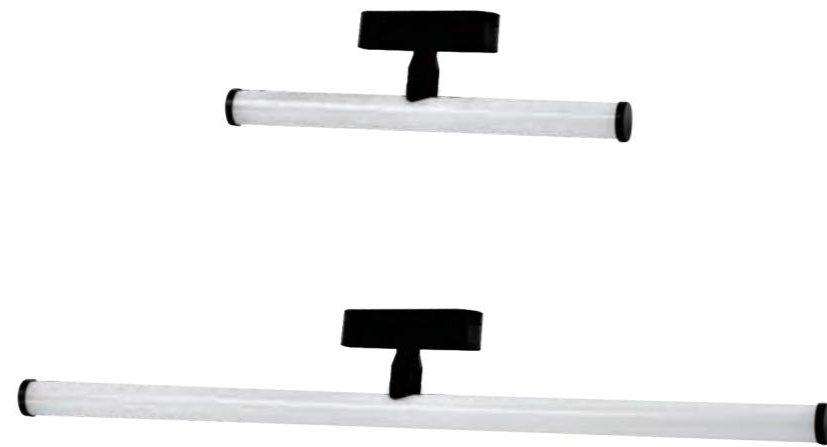
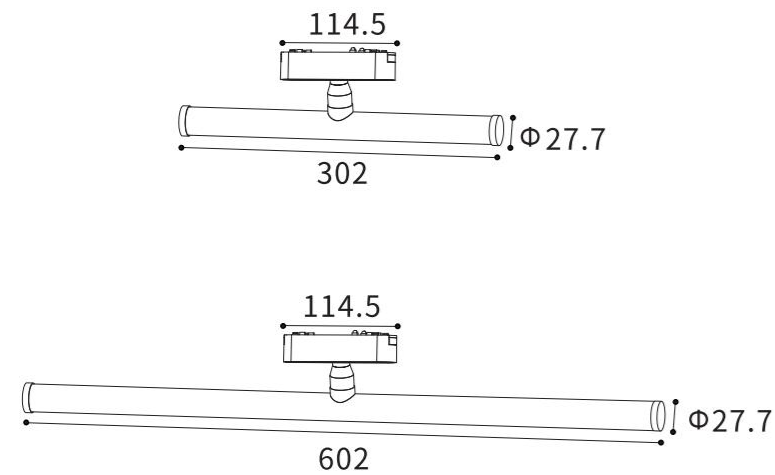


Product Code	Watt	>CRI	Voltage	LUMEN	Product Size	Finish	CCT	System Options
UT25-FM-7W	7W	Ra90	40-48V	596lm	Φ 32x1000x114.5	■ BK	3000K	No Dim,
UT25-FM-15W	15W	Ra90	40-48V	1153lm	Φ 45x1000x114.5	□ WH	3500K 4000K 5000K 2700-6000K	Bluetooth, Zigbee,

Beam angle



# UT25-Vision



Product Code	Watt	>CRI	Voltage	LUMEN	Product Size	Finish	CCT	System Options
UT25-TB-300	6W	Ra90	40-48V	640lm	Φ27.7x302x114.5	■ BK	3000K	No Dim,
UT25-TB-600	12W	Ra90	40-48V	1200lm	Φ27.7x602x114.5	□ WH	3500K 4000K 5000K 2700-6000K	Bluetooth, Zigbee,

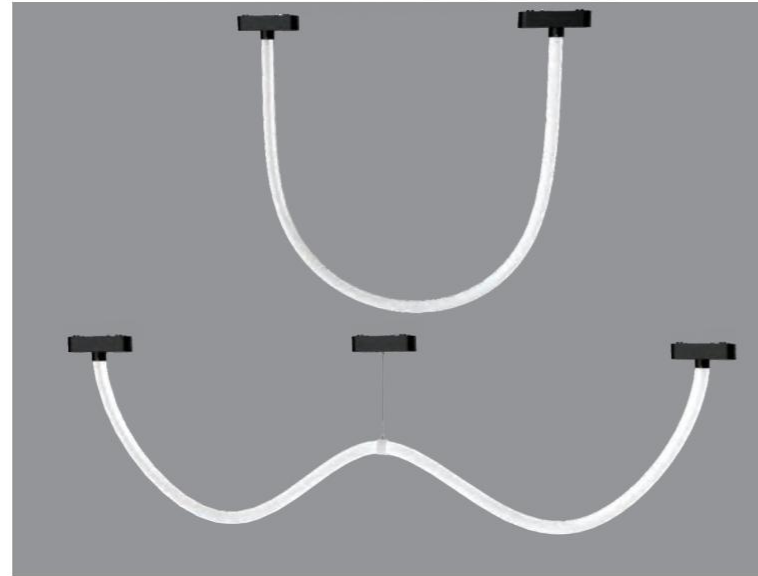
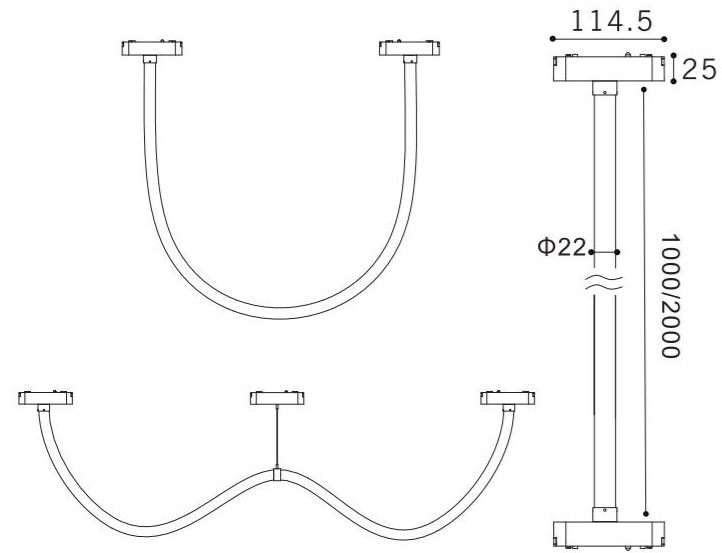
Beam angle



100°



# UT25-TUBE



Product Code	Watt	>CRI	Voltage	LUMEN	Product Size	Finish	CCT	System Options
UT25-NENO-1000	18W	Ra90	40-48V	1712lm	Φ22x1070x114.5	■ BK	3000K	No Dim,
UT25-NENO-2000	36W	Ra90	40-48V	4032lm	Φ22x2070x114.5	□ WH	3500K 4000K 5000K 2700-6000K	Bluetooth, Zigbee,

Beam angle



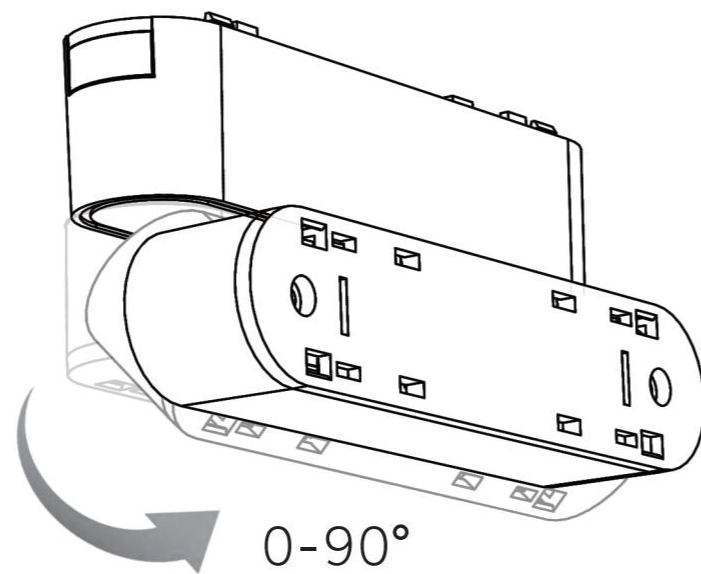
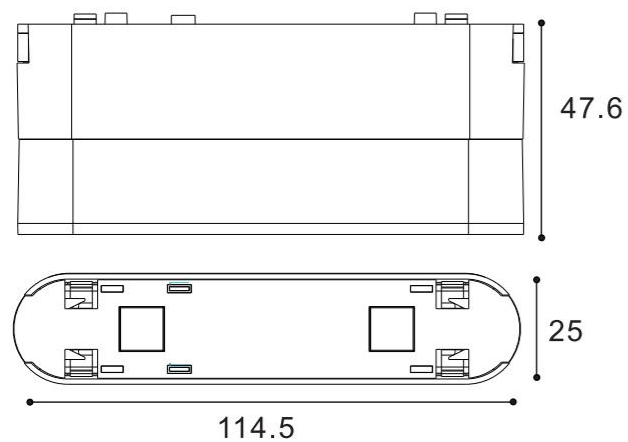
360°



# UT25



Product Code	Product Size	Rotation angle	Finish
UT25-FMR6	114.5x47.6x25	0-90°	<input checked="" type="checkbox"/> BK <input type="checkbox"/> WH

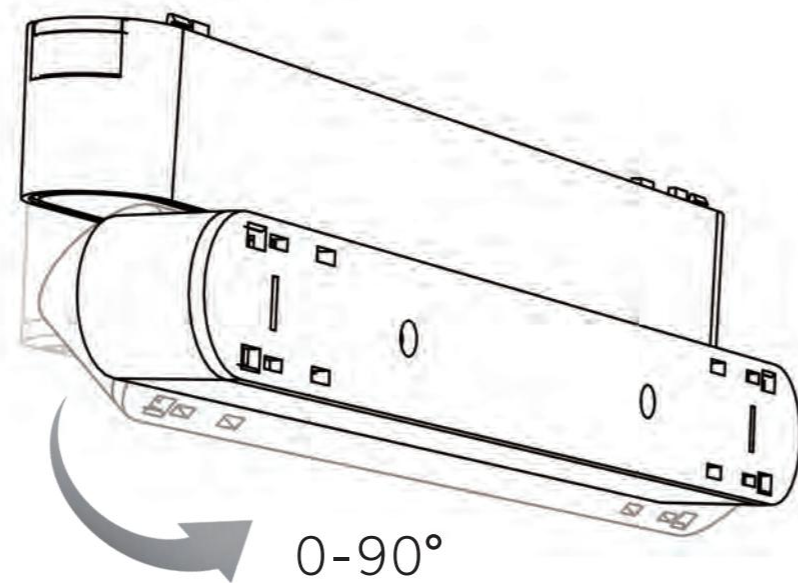
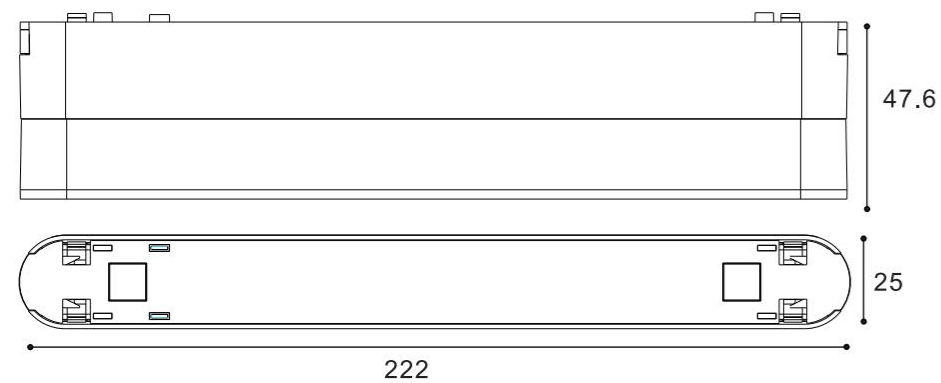




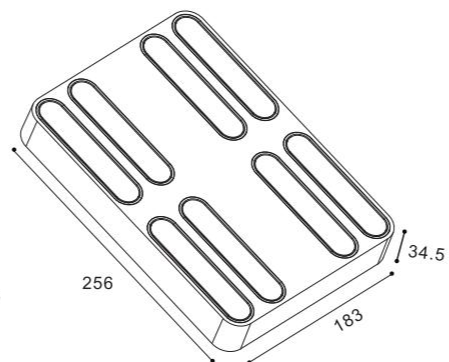
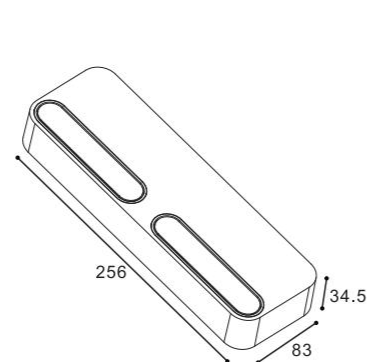
# UT25



Product Code	Product Size	Rotation angle	Finish
UT25-FMR12	222x47.6x25	0-90°	<div style="display: flex; align-items: center;"> <div style="width: 10px; height: 10px; background-color: black; margin-right: 5px;"></div> BK                 </div> <div style="display: flex; align-items: center; margin-top: 5px;"> <div style="width: 10px; height: 10px; border: 1px solid black; margin-right: 5px;"></div> WH                 </div>



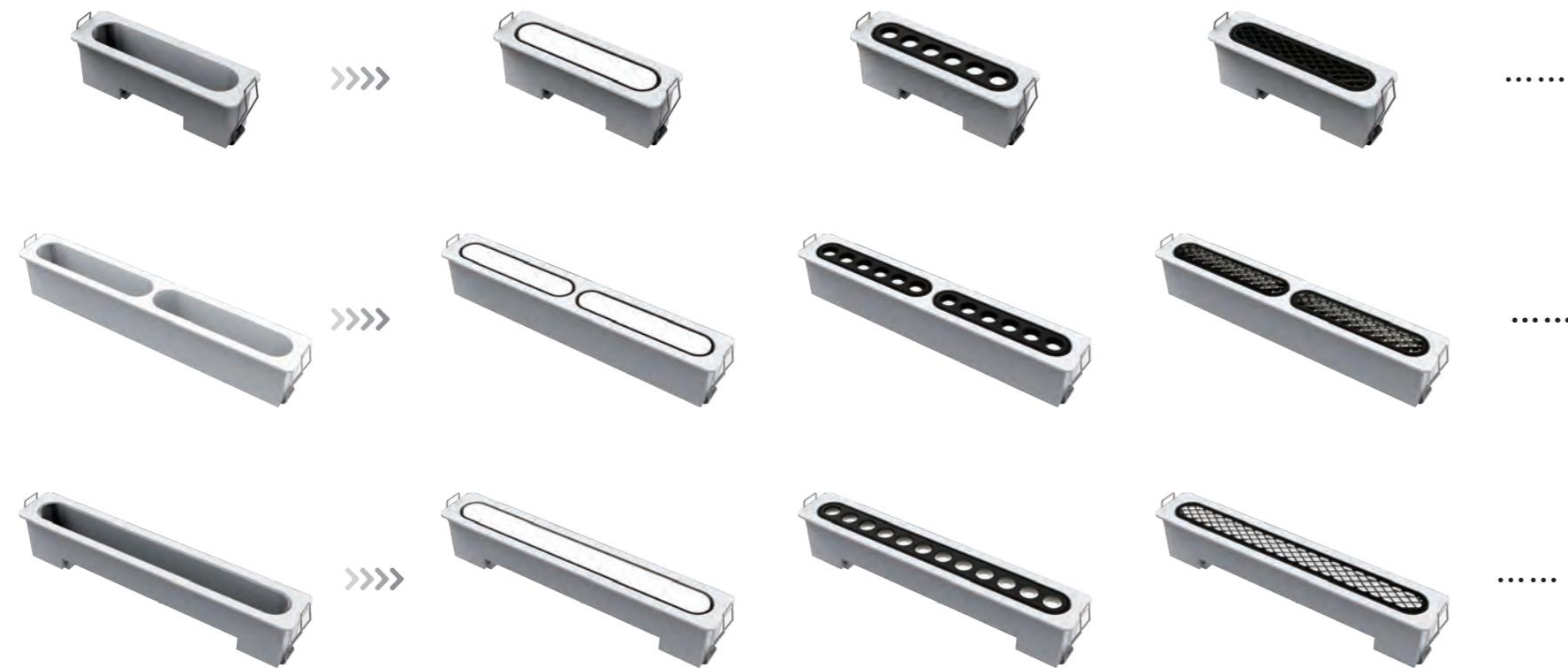
# UT25-Surfauce



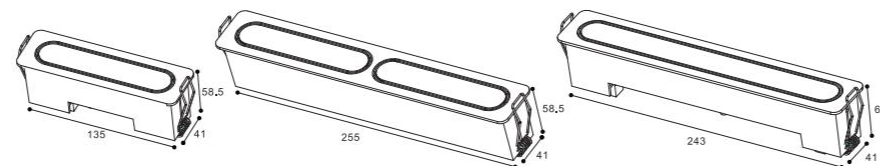
Product Code	Voltage	Product Size	Finish
UT25-SM-6x2	220V	256x83x34.5	■ BK
UT25-SM-6x8	220V	256x183x34.5	□ WH



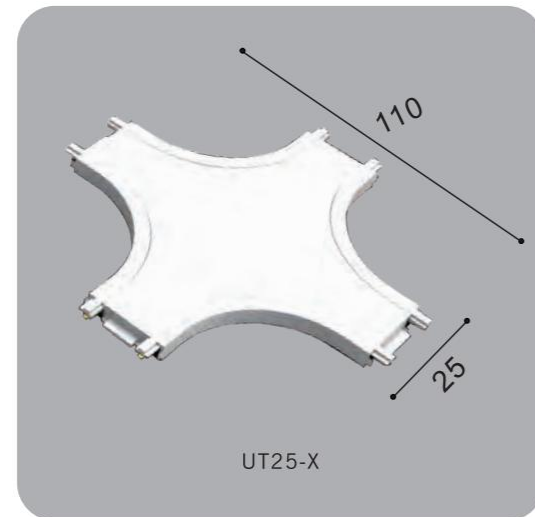
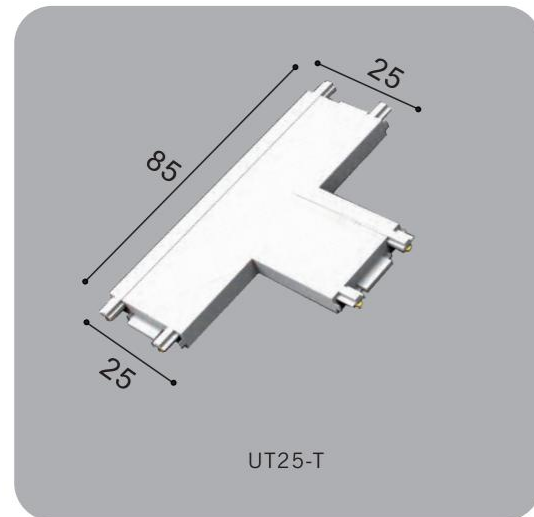
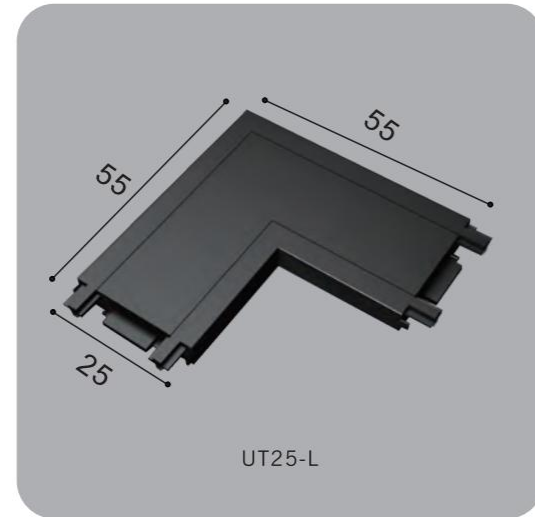
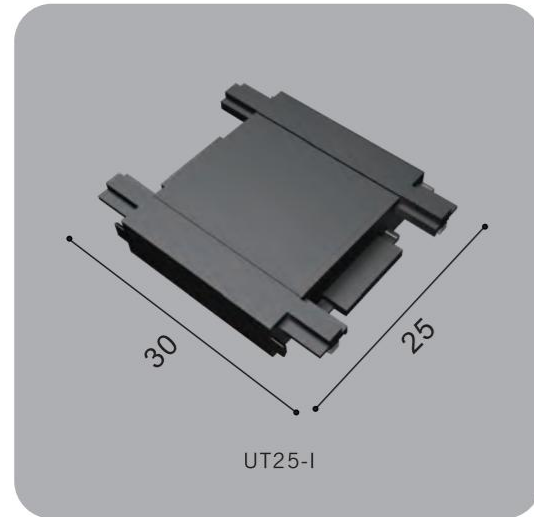
## UT25-Recessed



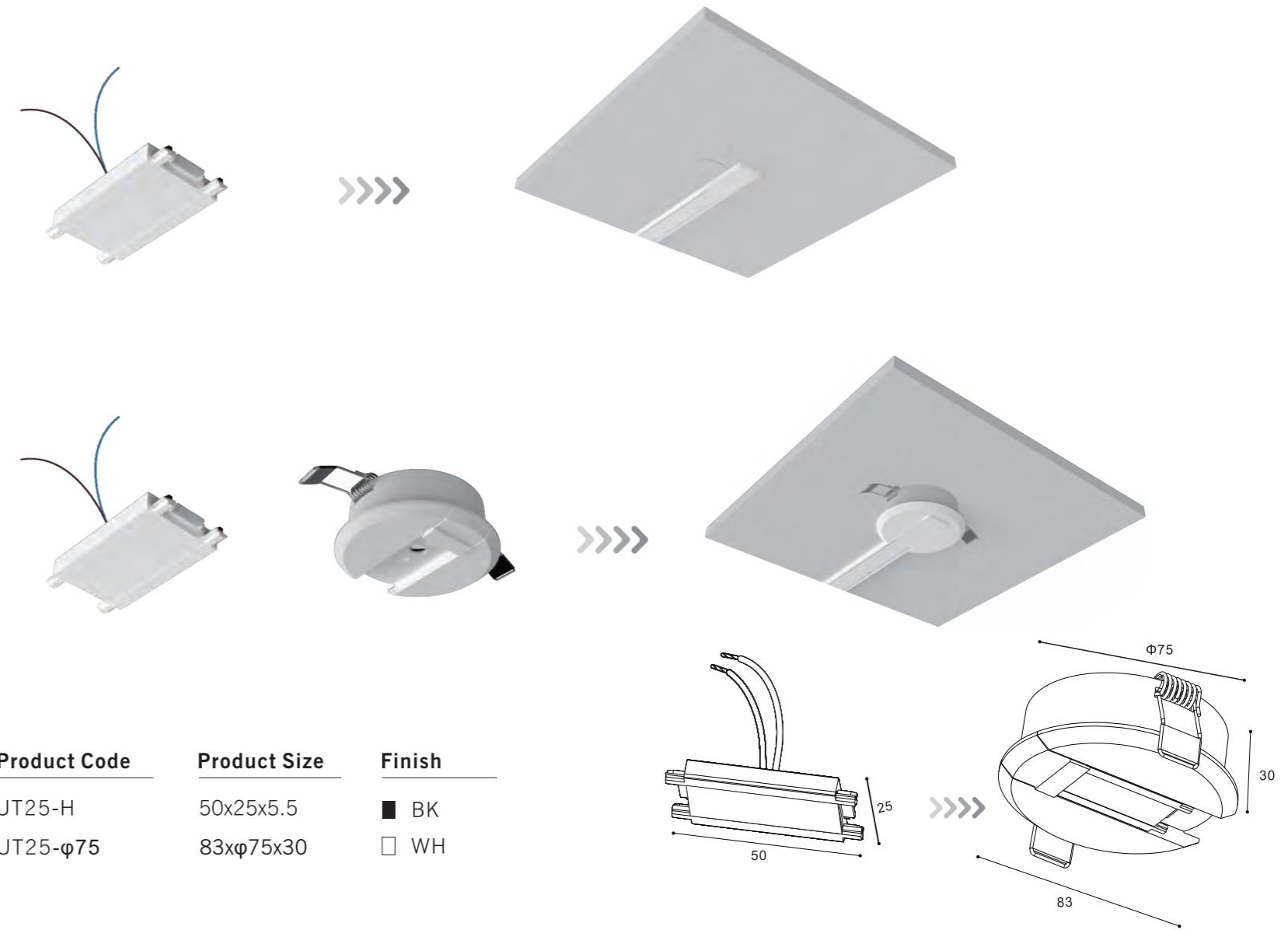
Product Code	Voltage	Product Size	Finish
UT25-RC-6x1	220V	135x41x58.5	■ BK
UT25-RC-6x2	220V	255x41x58.5	□ WH
UT25-RC-12x1	220V	243x41x58.5	■ BK



# UT25

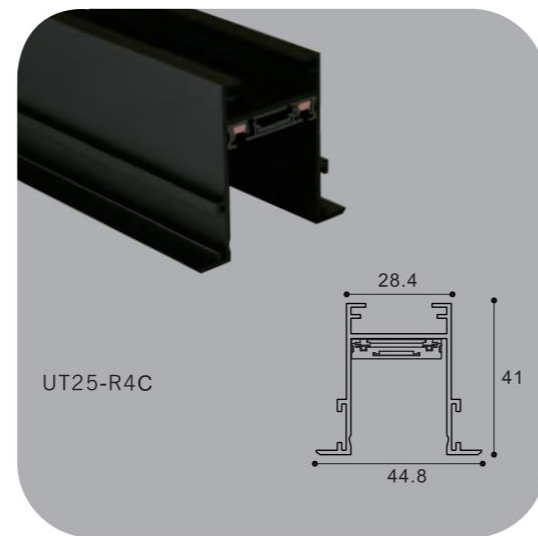
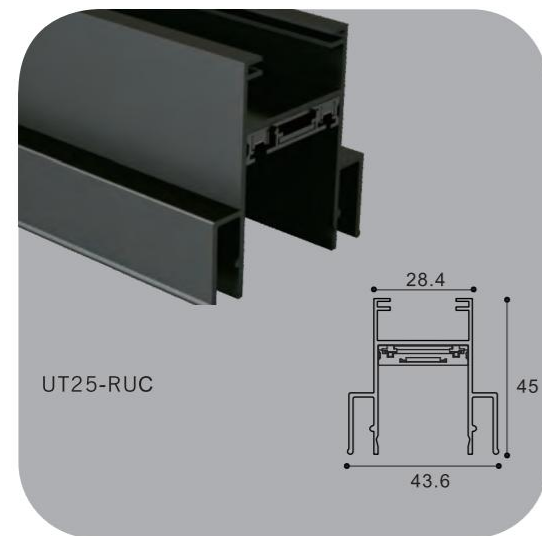


# UT25

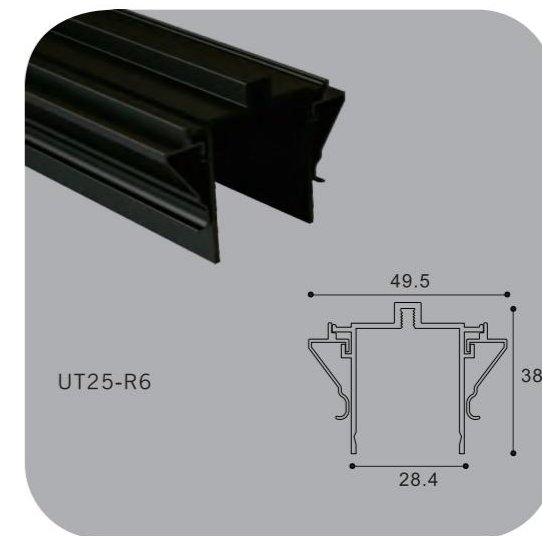
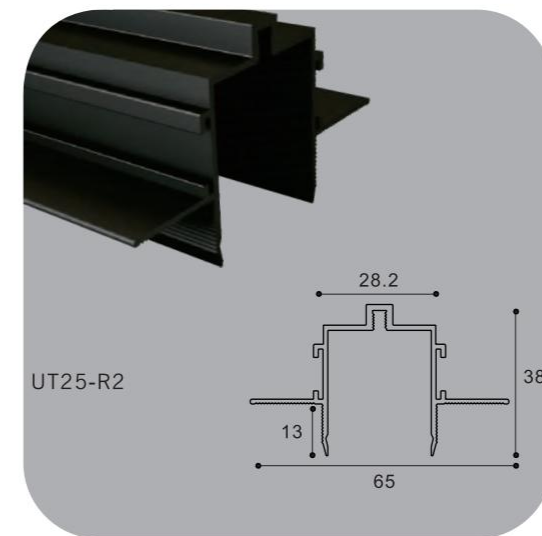
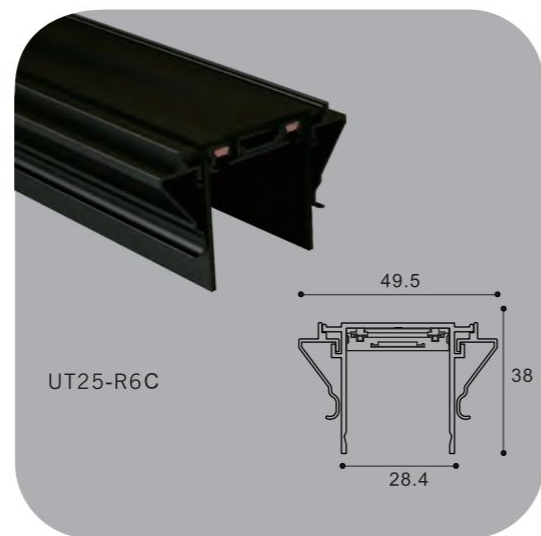
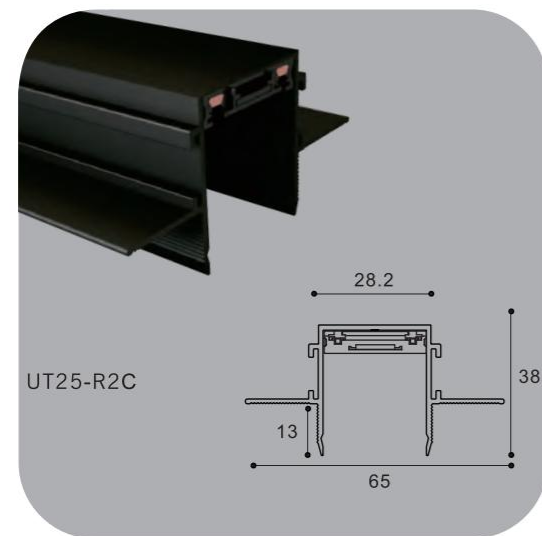
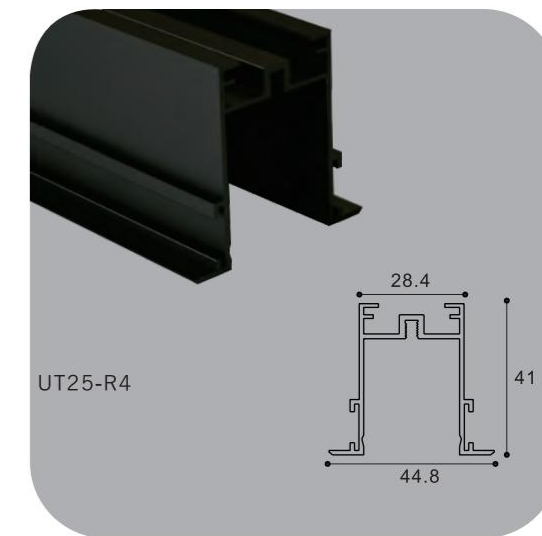
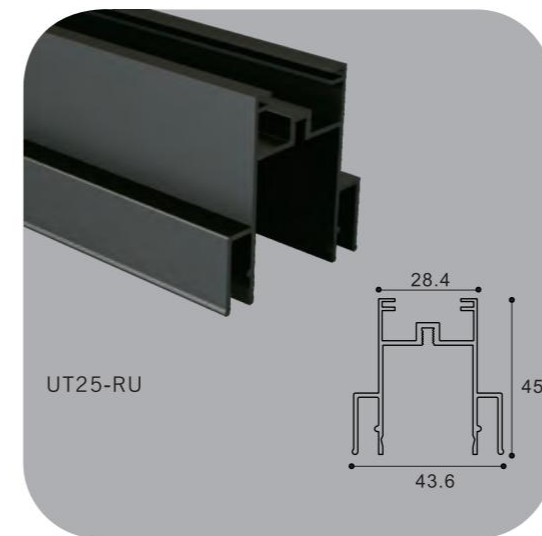


Product Code	Product Size	Finish
UT25-H	50x25x5.5	■ BK
UT25-φ75	83xφ75x30	□ WH

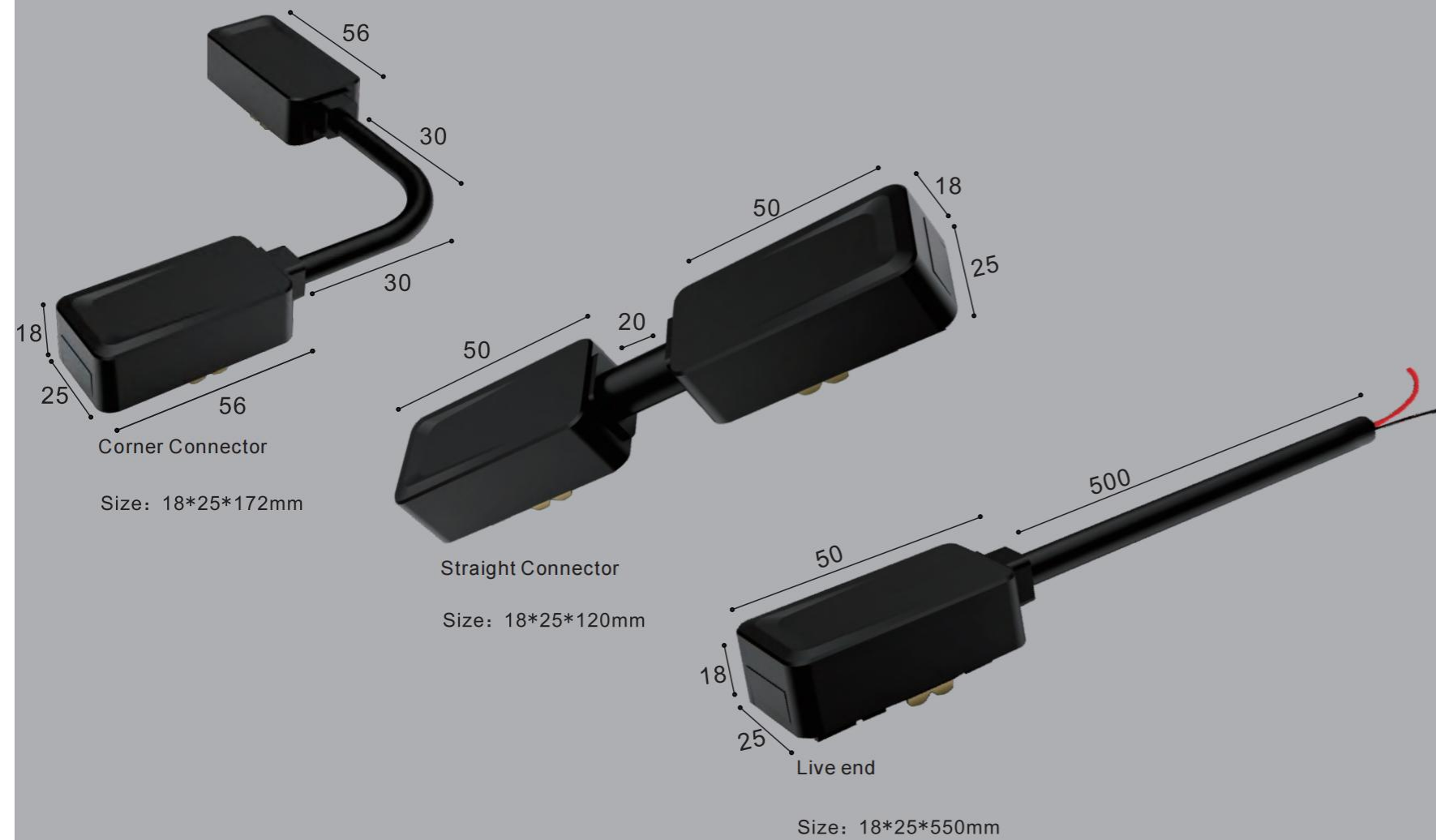
# UT25



# UT25

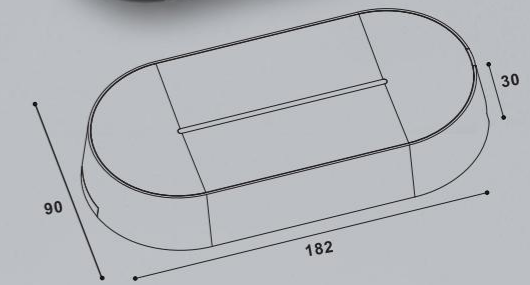


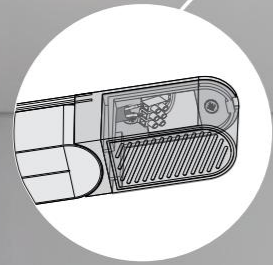
## CONNENTION MODULE



## 40V POWER SUPPLY 48V

Product Code	Watt	Finish	Warranty
UT25-PWS-100	100W	■ BK	2 Years
UT25-PWS-200	200W	□ WH	2 Years

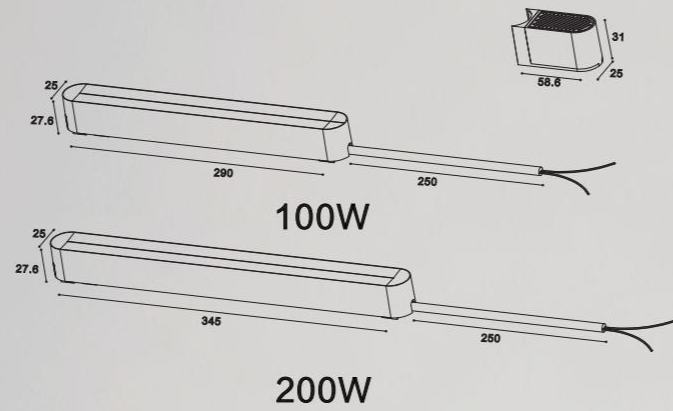




## 40-48V POWER SUPPLY



Product Code	Watt	Finish	Warrantyes
UT25-PWS-RR-100	100W	■ BK	2 Years
UT25-PWS-RR-200	200W	■ WH	2 Years



## 40-48V POWER SUPPLY

Product Code	Watt	Finish	Warranty
UT25-PWS-SR-100	100W	■ BK	2 Years
UT25-PWS-SR-200	200W	■ WH	2 Years

